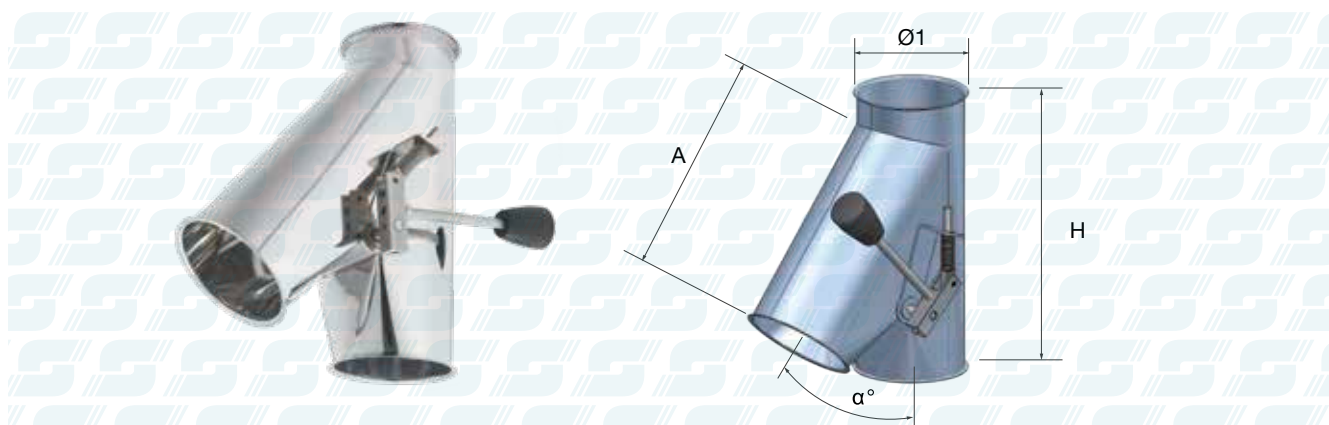


VALVOLE (pale interne in gomma alimentare "bianca")

VALVES (white food - grade rubber internal flaps)



Valvole Asimmetriche 30° / Comando a Molla - Diverter valves asymmetric 30° hand operated whit spring

Cod. Art.	Ø1 [mm]	H [mm]	A [mm]	Sp. [mm]	Prezzo Unitario €
VAI30MO-105	105	335	275	12/10	
VAI30MO-120	120	405	340		
VAI30MO-150	150	460	395		
VAI30MO-200	200	565	480		
VAI30MO-250	250	690	590		
VAI30MO-300	300	790	680	15/10	

Valvole Asimmetriche 35° / Comando a Molla - Diverter valves asymmetric 35° hand operated whit spring

Cod. Art.	Ø1 [mm]	H [mm]	A [mm]	Sp. [mm]	Prezzo Unitario €
VAI35MO-105	105	305	240	12/10	
VAI35MO-120	120	370	300		
VAI35MO-150	150	420	345		
VAI35MO-200	200	510	415		
VAI35MO-250	250	610	505		
VAI35MO-300	300	760	635	15/10	

Valvole Asimmetriche 40° / Comando a Molla - Diverter valves asymmetric 40° hand operated whit spring

Cod. Art.	Ø1 [mm]	H [mm]	A [mm]	Sp. [mm]	Prezzo Unitario €
VAI40MO-105	105	280	210	12/10	
VAI40MO-120	120	345	270		
VAI40MO-150	150	390	305		
VAI40MO-200	200	470	365		
VAI40MO-250	250	570	445		
VAI40MO-300	300	650	505	15/10	

Valvole Asimmetriche 45° / Comando a Molla - Diverter valves asymmetric 45° hand operated whit spring

Cod. Art.	Ø1 [mm]	H [mm]	A [mm]	Sp. [mm]	Prezzo Unitario €
VAI45MO-105	105	260	190	12/10	
VAI45MO-120	120	320	240		
VAI45MO-150	150	365	270		
VAI45MO-200	200	435	320		
VAI45MO-250	250	540	395		
VAI45MO-300	300	635	475	15/10	

OPZIONALE: pale interne in silicone alimentare blu rilevabile al metal detector - **Prezzo su richiesta.**
AS AN OPTIONAL: blue metal detectable food - grade silicone internal flaps - **Price on request.**