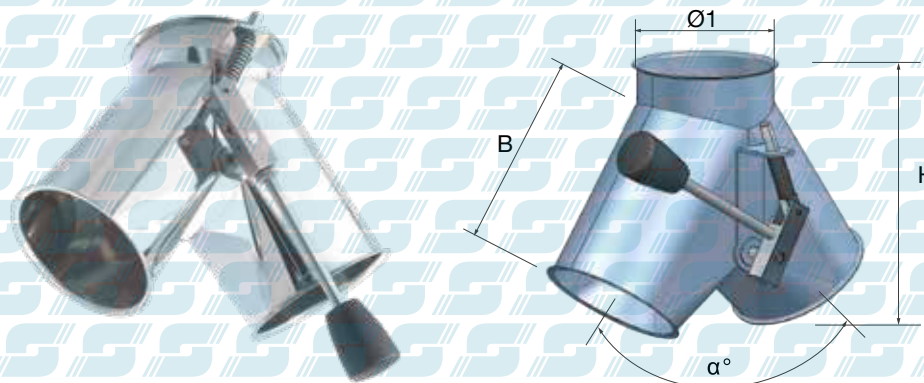


VALVOLE (pale interne in gomma alimentare "bianca")

VALVES (internal flapes in "white" alimentary rubber)

**Valvole Simmetriche a due vie 30°+30° / Comando Molla** - Diverter valves symmetric 30°+30° hand operated with spring

Cod. Art.	Ø1 [mm]	H [mm]	A [mm]	Sp. [mm]	Prezzo Unitario €
VSI30MO-105	105	200	140	12/10	
VSI30MO-120	120	240	185		
VSI30MO-150	150	270	200		
VSI30MO-200	200	320	230		

Valvole Simmetriche a due vie 35°+35° / Comando Molla - Diverter valves symmetric 35°+35° hand operated with spring

Cod. Art.	Ø1 [mm]	H [mm]	A [mm]	Sp. [mm]	Prezzo Unitario €
VSI35MO-105	105	185	125	12/10	
VSI35MO-120	120	220	160		
VSI35MO-150	150	245	175		
VSI35MO-200	200	290	195		

Valvole Simmetriche a due vie 40°+40° / Comando Molla - Diverter valves symmetric 40°+40° hand operated with spring

Cod. Art.	Ø1 [mm]	H [mm]	A [mm]	Sp. [mm]	Prezzo Unitario €
VSI40MO-105	105	185	115	12/10	
VSI40MO-120	120	205	145		
VSI40MO-150	150	230	155		
VSI40MO-200	200	270	170		

Valvole Simmetriche a due vie 45°+45° / Comando Molla - Diverter valves symmetric 45°+45° hand operated with spring

Cod. Art.	Ø1 [mm]	H [mm]	A [mm]	Sp. [mm]	Prezzo Unitario €
VSI45MO-105	105	170	100	12/10	
VSI45MO-120	120	190	130		
VSI45MO-150	150	215	135		
VSI45MO-200	200	245	145		

Su richiesta: esecuzione Ø 250 mm e Ø 300 mm.
 On request: execution Ø 250 mm e Ø 300 mm.