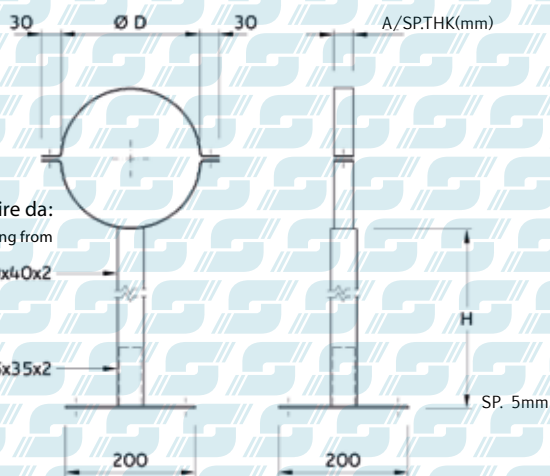


Tubolare e Piastre in base al diametro a partire da:  
Tubular and Plate according to the diameter starting from

Tubo 40x40x2

Tubo 35x35x2



Cod. Art.	ØD [mm]	A [mm]	Sp./Thk [mm]	H [mm]	Prezzo €
SPST-0080	80	30	2,0	1000	
SPST-0100	100	30	2,0	1000	
SPST-0120	120	30	2,0	1000	
SPST-0140	140	30	2,0	1000	
SPST-0150	150	30	2,0	1000	
SPST-0160	160	30	2,0	1000	
SPST-0180	180	30	2,0	1000	
SPST-0200	200	30	2,0	1000	
SPST-0220	220	30	2,0	1000	
SPST-0240	240	30	2,0	1000	
SPST-0250	250	30	2,0	1000	
SPST-0260	260	30	2,0	1000	
SPST-0280	280	30	2,0	1000	
SPST-0300	300	30	2,0	1000	
SPST-0320	320	30	3,0	1000	
SPST-0340	340	30	3,0	1000	
SPST-0350	350	30	3,0	1000	
SPST-0360	360	30	3,0	1000	
SPST-0380	380	30	3,0	1000	
SPST-0400	400	30	3,0	1000	
SPST-0420	420	30	3,0	1000	
SPST-0440	440	30	3,0	1000	
SPST-0450	450	30	3,0	1000	
SPST-0460	460	30	3,0	1000	
SPST-0480	480	30	3,0	1000	
SPST-0500	500	30	3,0	1000	
SPST-0520	520	50	3,0	1000	
SPST-0540	540	50	3,0	1000	

Cod. Art.	ØD [mm]	A [mm]	Sp./Thk [mm]	H [mm]	Prezzo €
SPST-0550	550	50	3,0	1000	
SPST-0560	560	50	3,0	1000	
SPST-0580	580	50	3,0	1000	
SPST-0600	600	50	3,0	1000	
SPST-0620	620	50	3,0	1000	
SPST-0640	640	50	3,0	1000	
SPST-0650	650	50	3,0	1000	
SPST-0660	660	50	3,0	1000	
SPST-0680	680	50	3,0	1000	
SPST-0700	700	50	3,0	1000	
SPST-0720	720	100	5,0	1000	
SPST-0740	740	100	5,0	1000	
SPST-0750	750	100	5,0	1000	
SPST-0760	760	100	5,0	1000	
SPST-0780	780	100	5,0	1000	
SPST-0800	800	100	5,0	1000	
SPST-0820	820	100	5,0	1000	
SPST-0840	840	100	5,0	1000	
SPST-0850	850	100	5,0	1000	
SPST-0860	860	100	5,0	1000	
SPST-0880	880	100	5,0	1000	
SPST-0900	900	100	5,0	1000	
SPST-0920	920	100	5,0	1000	
SPST-0940	940	100	5,0	1000	
SPST-0950	950	100	5,0	1000	
SPST-0960	960	100	5,0	1000	
SPST-0980	980	100	5,0	1000	
SPST-1000	1000	100	5,0	1000	

Su richiesta si eseguono altezze, spessori e materiali diversi.  
I prezzi indicati non comprendono la bulloneria che viene fornita su richiesta.  
Other heights, thicknesses and materials are available on request.  
The listed prices do not include nuts and bolts which are provided on request.