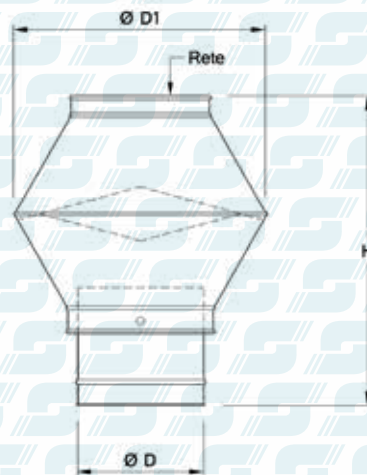


CAPPELLO A CIELO APERTO

EXHAUST HOOD DOUBLE CONE



Cod. Art.	ØD [mm]	ØD 1 [mm]	H [mm]	Sp./Thk [mm]	Prezzo €
CPCA-0200	200	400	760	0,8	
CPCA-0220	220	450	780	0,8	
CPCA-0240	240	480	790	0,8	
CPCA-0250	250	500	800	0,8	
CPCA-0260	260	520	810	0,8	
CPCA-0280	280	550	820	0,8	
CPCA-0300	300	580	840	0,8	
CPCA-0320	320	600	870	0,8	
CPCA-0340	340	640	890	0,8	
CPCA-0350	350	650	900	0,8	
CPCA-0360	360	670	910	0,8	
CPCA-0380	380	700	920	0,8	
CPCA-0400	400	720	940	0,8	
CPCA-0420	420	750	960	0,8	
CPCA-0440	440	780	970	0,8	
CPCA-0450	450	800	980	0,8	
CPCA-0460	460	830	990	0,8	
CPCA-0480	480	850	1000	0,8	
CPCA-0500	500	900	1030	1,0	
CPCA-0520	520	950	1050	1,0	
CPCA-0540	540	970	1070	1,0	
CPCA-0550	550	980	1080	1,0	
CPCA-0560	560	990	1090	1,0	
CPCA-0580	580	1000	1100	1,0	
CPCA-0600	600	1050	1120	1,0	

Cod. Art.	ØD [mm]	ØD 1 [mm]	H [mm]	Sp./Thk [mm]	Prezzo €
CPCA-0620	620	1080	1150	1,0	
CPCA-0640	640	1100	1150	1,0	
CPCA-0650	650	1120	1160	1,0	
CPCA-0660	660	1130	1180	1,0	
CPCA-0680	680	1150	1200	1,0	
CPCA-0700	700	1200	1220	1,0	
CPCA-0720	720	1250	1250	1,0	
CPCA-0740	740	1270	1260	1,0	
CPCA-0750	750	1280	1260	1,0	
CPCA-0760	760	1290	1270	1,0	
CPCA-0780	780	1300	1280	1,0	
CPCA-0800	800	1350	1300	1,0	
CPCA-0820	820	1400	1320	1,0	
CPCA-0840	840	1430	1330	1,0	
CPCA-0850	850	1450	1340	1,0	
CPCA-0860	860	1470	1340	1,0	
CPCA-0880	880	1500	1350	1,0	
CPCA-0900	900	1520	1400	1,0	
CPCA-0920	920	1550	1450	1,0	
CPCA-0940	940	1570	1460	1,0	
CPCA-0950	950	1600	1460	1,0	
CPCA-0960	960	1620	1570	1,0	
CPCA-0980	980	1650	1500	1,0	
CPCA-1000	1000	1700	1520	1,0	

Su richiesta si eseguono spessori e materiali diversi.

Il prodotto può essere realizzato in 4 versioni: • bordo anello • bordo manicotto • liscio • flangiato (con aggiunta costo flangia).

Other thicknesses and materials are available on request.

The product can be produced in 4 different versions: • ring edge • sleeve edge • smooth • flanged (with the additional cost of the flange).