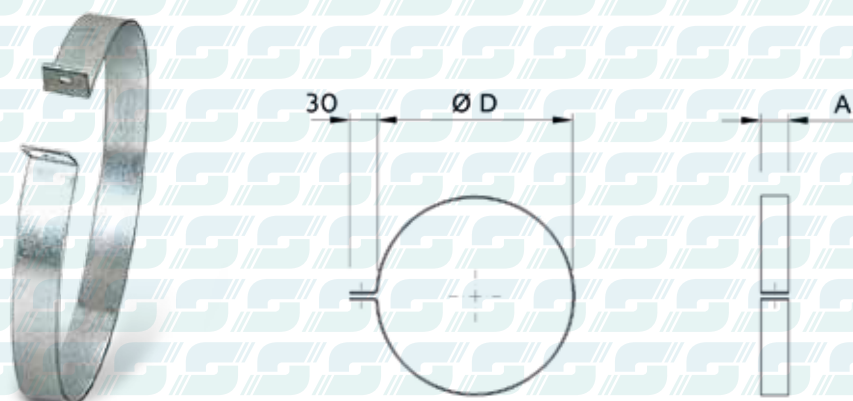


SUPPORTO INTERO

SUPPORT BAND



Cod. Art.	ØD [mm]	A [mm]	Sp./Thk [mm]	Prezzo €
SPIN-0080	80	20	2,0	
SPIN-0100	100	20	2,0	
SPIN-0120	120	20	2,0	
SPIN-0140	140	20	2,0	
SPIN-0150	150	20	2,0	
SPIN-0160	160	20	2,0	
SPIN-0180	180	20	2,0	
SPIN-0200	200	20	2,0	
SPIN-0220	220	20	2,0	
SPIN-0240	240	20	2,0	
SPIN-0250	250	20	2,0	
SPIN-0260	260	20	2,0	
SPIN-0280	280	20	2,0	
SPIN-0300	300	20	2,0	
SPIN-0320	320	30	3,0	
SPIN-0340	340	30	3,0	
SPIN-0350	350	30	3,0	
SPIN-0360	360	30	3,0	
SPIN-0380	380	30	3,0	
SPIN-0400	400	30	3,0	
SPIN-0420	420	30	3,0	
SPIN-0440	440	30	3,0	
SPIN-0450	450	30	3,0	
SPIN-0460	460	30	3,0	
SPIN-0480	480	30	3,0	
SPIN-0500	500	50	3,0	
SPIN-0520	520	50	3,0	
SPIN-0540	540	50	3,0	

Cod. Art.	ØD [mm]	A [mm]	Sp./Thk [mm]	Prezzo €
SPIN-0550	550	50	3,0	
SPIN-0560	560	50	3,0	
SPIN-0580	580	50	3,0	
SPIN-0600	600	50	3,0	
SPIN-0620	620	50	3,0	
SPIN-0640	640	50	3,0	
SPIN-0650	650	50	3,0	
SPIN-0660	660	50	3,0	
SPIN-0680	680	50	3,0	
SPIN-0700	700	50	3,0	
SPIN-0720	720	50	3,0	
SPIN-0740	740	50	3,0	
SPIN-0750	750	50	3,0	
SPIN-0760	760	50	3,0	
SPIN-0780	780	50	3,0	
SPIN-0800	800	80	3,0	
SPIN-0820	820	80	3,0	
SPIN-0840	840	80	3,0	
SPIN-0850	850	80	3,0	
SPIN-0860	860	80	3,0	
SPIN-0880	880	80	3,0	
SPIN-0900	900	80	3,0	
SPIN-0920	920	80	3,0	
SPIN-0940	940	80	3,0	
SPIN-0950	950	80	3,0	
SPIN-0960	960	80	3,0	
SPIN-0980	980	80	3,0	
SPIN-1000	1000	80	3,0	

Su richiesta si eseguono spessori e materiali diversi.

I prezzi indicati non comprendono la bulloneria che viene fornita su richiesta.

On request other thicknesses and materials are available.

The quoted prices do not include nuts and bolts which are supplied on request.