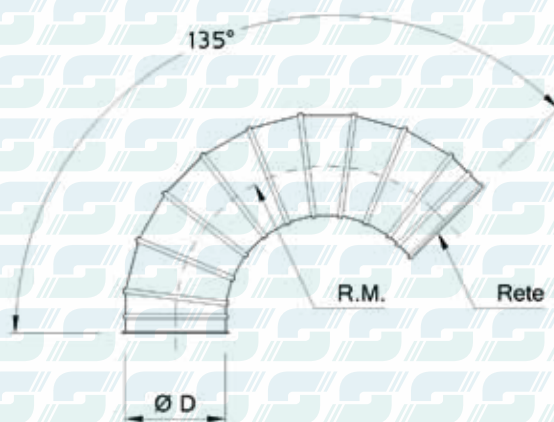
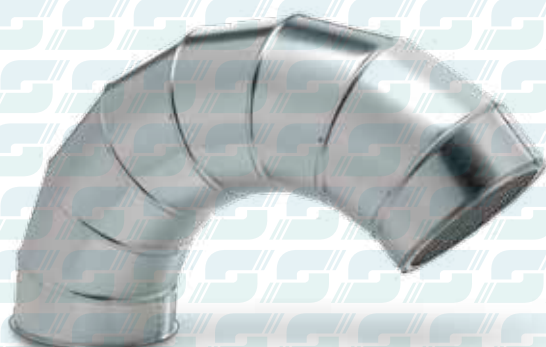


# TERMINALE 135° CON RETE

EXHAUST BEND 135° WITH SAFETY GRID



Cod. Art.	ØD [mm]	Gradi Deg.	R.M. M.R.	Sp./Thk [mm]	Prezzo €
<b>5T135-0080</b>	80	135°	120	0,6	
<b>T135-0100</b>	100	135°	150	0,6	
<b>T135-0120</b>	120	135°	180	0,6	
<b>T135-0140</b>	140	135°	210	0,6	
<b>T135-0150</b>	150	135°	225	0,6	
<b>T135-0160</b>	160	135°	240	0,6	
<b>T135-0180</b>	180	135°	270	0,6	
<b>T135-0200</b>	200	135°	300	0,6	
<b>T135-0220</b>	220	135°	330	0,8	
<b>T135-0240</b>	240	135°	360	0,8	
<b>T135-0250</b>	250	135°	375	0,8	
<b>T135-0260</b>	260	135°	390	0,8	
<b>T135-0280</b>	280	135°	420	0,8	
<b>T135-0300</b>	300	135°	450	0,8	
<b>T135-0320</b>	320	135°	480	0,8	
<b>T135-0340</b>	340	135°	510	0,8	
<b>T135-0350</b>	350	135°	525	0,8	
<b>T135-0360</b>	360	135°	540	0,8	
<b>T135-0380</b>	380	135°	570	0,8	
<b>T135-0400</b>	400	135°	600	0,8	
<b>T135-0420</b>	420	135°	630	0,8	
<b>T135-0440</b>	440	135°	660	0,8	
<b>T135-0450</b>	450	135°	675	0,8	
<b>T135-0460</b>	460	135°	690	0,8	
<b>T135-0480</b>	480	135°	720	0,8	
<b>T135-0500</b>	500	135°	500	0,8	
<b>T135-0520</b>	520	135°	520	0,8	
<b>T135-0540</b>	540	135°	540	0,8	

Cod. Art.	ØD [mm]	Gradi Deg.	R.M. M.R.	Sp./Thk [mm]	Prezzo €
<b>T135-0550</b>	550	135°	550	0,8	
<b>T135-0560</b>	560	135°	560	1,0	
<b>T135-0580</b>	580	135°	580	1,0	
<b>T135-0600</b>	600	135°	600	1,0	
<b>T135-0620</b>	620	135°	620	1,0	
<b>T135-0640</b>	640	135°	640	1,0	
<b>T135-0650</b>	650	135°	650	1,0	
<b>T135-0660</b>	660	135°	660	1,0	
<b>T135-0680</b>	680	135°	680	1,0	
<b>T135-0700</b>	700	135°	700	1,0	
<b>T135-0720</b>	720	135°	720	1,0	
<b>T135-0740</b>	740	135°	740	1,0	
<b>T135-0750</b>	750	135°	750	1,0	
<b>T135-0760</b>	760	135°	760	1,0	
<b>T135-0780</b>	780	135°	780	1,0	
<b>T135-0800</b>	800	135°	800	1,0	
<b>T135-0820</b>	820	135°	820	1,0	
<b>T135-0840</b>	840	135°	840	1,0	
<b>T135-0850</b>	850	135°	850	1,0	
<b>T135-0860</b>	860	135°	860	1,0	
<b>T135-0880</b>	880	135°	880	1,0	
<b>T135-0900</b>	900	135°	900	1,0	
<b>T135-0920</b>	920	135°	920	1,0	
<b>T135-0940</b>	940	135°	940	1,0	
<b>T135-0950</b>	950	135°	950	1,0	
<b>T135-0960</b>	960	135°	960	1,0	
<b>T135-0980</b>	980	135°	980	1,0	
<b>T135-1000</b>	1000	135°	1000	1,0	

Su richiesta si eseguono spessori e materiali diversi.

Il prodotto può essere realizzato in 4 versioni: • bordo anello • bordo manicotto • liscio • flangiato (con aggiunta costo flangia).

*On request other thicknesses and materials are available.*

*The product can be produced in 4 different versions: • ring edge • sleeve edge • smooth • flanged (with flange cost supplement).*