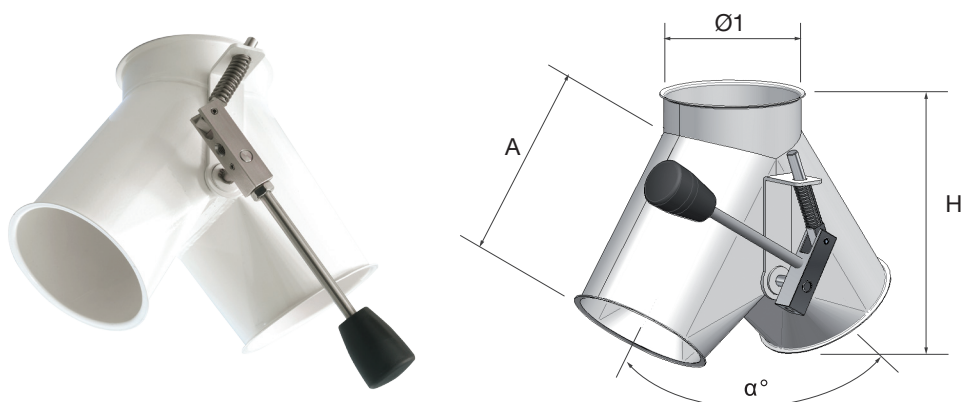


VALVOLE (pale interne in gomma alimentare "bianca")

VALVES (gasket alimenta white)

GRAVITY SPOUTING PIPES POWDER COATED STEEL
RAL 9010 ALIMENTARE CERTIFICATO/ RAL 9010 FOOD CERTIFIED**Valvole Simmetriche a due vie 30°+30° / Comando a Molla - Diverter valve symmetric 30°+30° hand operated with spring**

Cod. Art.	Ø1 [mm]	H [mm]	A [mm]	Sp. [mm]	Prezzo Unitario €
VSS30MO-105	105	200	140	12/10	
VSS30MO-120	120	240	185		
VSS30MO-150	150	270	200		
VSS30MO-200	200	320	230		

Valvole Simmetriche a due vie 35°+35° / Comando a Molla - Diverter valve symmetric 35°+35° hand operated with spring

Cod. Art.	Ø1 [mm]	H [mm]	A [mm]	Sp. [mm]	Prezzo Unitario €
VSS35MO-105	105	185	125	12/10	
VSS35MO-120	120	220	160		
VSS35MO-150	150	245	175		
VSS35MO-200	200	290	195		

Valvole Simmetriche a due vie 40°+40° / Comando a Molla - Diverter valve symmetric 40°+40° hand operated with spring

Cod. Art.	Ø1 [mm]	H [mm]	A [mm]	Sp. [mm]	Prezzo Unitario €
VSS40MO-105	105	185	115	12/10	
VSS40MO-120	120	205	145		
VSS40MO-150	150	230	155		
VSS40MO-200	200	270	170		

Valvole Simmetriche a due vie 45°+45° / Comando a Molla - Diverter valve symmetric 45°+45° hand operated with spring

Cod. Art.	Ø1 [mm]	H [mm]	A [mm]	Sp. [mm]	Prezzo Unitario €
VSS45MO-105	105	170	100	12/10	
VSS45MO-120	120	190	130		
VSS45MO-150	150	215	135		
VSS45MO-200	200	245	145		

Accessori esterni per il movimento della pala in acciaio inox AISI 304. / External accessories for the blade in stainless steel AISI 304.
Pala interna in acciaio inox AISI 304 BA. / Inner blade in stainless steel 2P reflective.

Su richiesta: esecuzione Ø 250 mm e Ø 300 mm.
On request: execution Ø 250 mm e Ø 300 mm.