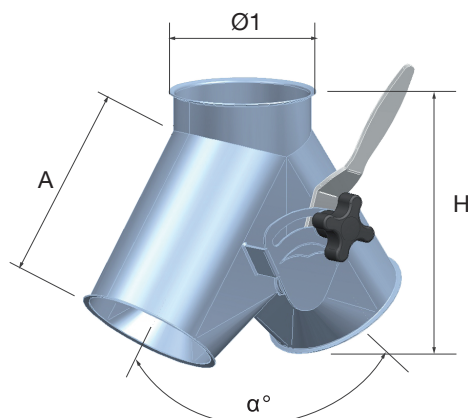


VALVOLE (pale interne in gomma alimentare "bianca")

VALVES (gasket alimenta white)



Valvole Simmetriche a due vie 30°+30° / Comando Manuale - Diverter valves symmetric 30°+30° hand operated

| Cod. Art. | Ø1 [mm] | H [mm] | A [mm] | Sp. [mm] | Prezzo Unitario € |
|-------------|---------|--------|--------|----------|-------------------|
| VSI30MA-105 | 105 | 200 | 140 | 12/10 | |
| VSI30MA-120 | 120 | 240 | 185 | | |
| VSI30MA-150 | 150 | 270 | 200 | | |
| VSI30MA-200 | 200 | 320 | 230 | | |

Valvole Simmetriche a due vie 35°+35° / Comando Manuale - Diverter valves symmetric 35°+35° hand operated

| Cod. Art. | Ø1 [mm] | H [mm] | A [mm] | Sp. [mm] | Prezzo Unitario € |
|-------------|---------|--------|--------|----------|-------------------|
| VSI35MA-105 | 105 | 185 | 125 | 12/10 | |
| VSI35MA-120 | 120 | 220 | 160 | | |
| VSI35MA-150 | 150 | 245 | 175 | | |
| VSI35MA-200 | 200 | 290 | 195 | | |

Valvole Simmetriche a due vie 40°+40° / Comando Manuale - Diverter valves symmetric 40°+40° hand operated

| Cod. Art. | Ø1 [mm] | H [mm] | A [mm] | Sp. [mm] | Prezzo Unitario € |
|-------------|---------|--------|--------|----------|-------------------|
| VSI40MA-105 | 105 | 185 | 115 | 12/10 | |
| VSI40MA-120 | 120 | 205 | 145 | | |
| VSI40MA-150 | 150 | 230 | 155 | | |
| VSI40MA-200 | 200 | 270 | 170 | | |

Valvole Simmetriche a due vie 45°+45° / Comando Manuale - Diverter valves symmetric 45°+45° hand operated

| Cod. Art. | Ø1 [mm] | H [mm] | A [mm] | Sp. [mm] | Prezzo Unitario € |
|-------------|---------|--------|--------|----------|-------------------|
| VSI45MA-105 | 105 | 170 | 100 | 12/10 | |
| VSI45MA-120 | 120 | 190 | 130 | | |
| VSI45MA-150 | 150 | 215 | 135 | | |
| VSI45MA-200 | 200 | 245 | 145 | | |

Su richiesta: esecuzione Ø 250 mm e Ø 300 mm.
On request: execution Ø 250 mm e Ø 300 mm.