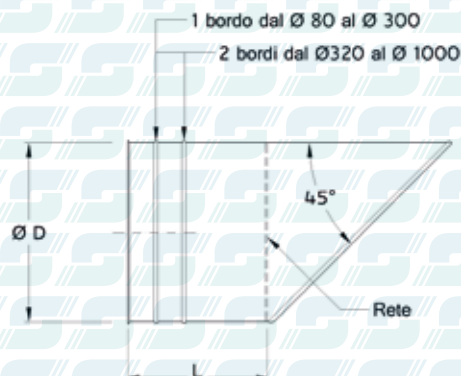


# TERMINALE 45° CON RETE

EXHAUST SPOUT 45° WITH SAFETY GRID



Cod. Art.	ØD [mm]	L [mm]	Sp./Thk [mm]	Prezzo €
TR45-0080	80	100	43,12	
TR45-0100	100	100	44,31	
TR45-0120	120	100	44,39	
TR45-0140	140	100	45,09	
TR45-0150	150	120	45,83	
TR45-0160	160	120	45,97	
TR45-0180	180	150	46,15	
TR45-0200	200	150	47,37	
TR45-0220	220	180	48,81	
TR45-0240	240	180	49,45	
TR45-0250	250	200	50,26	
TR45-0260	260	200	50,90	
TR45-0280	280	200	51,68	
TR45-0300	300	250	53,29	
TR45-0320	320	250	55,62	
TR45-0340	340	250	56,41	
TR45-0350	350	280	57,14	
TR45-0360	360	280	58,22	
TR45-0380	380	280	59,31	
TR45-0400	400	300	61,22	
TR45-0420	420	300	62,26	
TR45-0440	440	300	63,00	
TR45-0450	450	350	64,54	
TR45-0460	460	350	65,08	
TR45-0480	480	350	65,08	
TR45-0500	500	400	66,99	
TR45-0520	520	400	67,96	
TR45-0540	540	400	68,80	

Cod. Art.	ØD [mm]	L [mm]	Sp./Thk [mm]	Prezzo €
TR45-0550	550	450	1,0	
TR45-0560	560	450	1,0	
TR45-0580	580	450	1,0	
TR45-0600	600	500	1,0	
TR45-0620	620	500	1,0	
TR45-0640	640	500	1,0	
TR45-0650	650	550	1,0	
TR45-0660	660	550	1,0	
TR45-0680	680	550	1,0	
TR45-0700	700	550	1,0	
TR45-0720	720	600	1,0	
TR45-0740	740	600	1,0	
TR45-0750	750	600	1,0	
TR45-0760	760	600	1,0	
TR45-0780	780	600	1,0	
TR45-0800	800	600	1,0	
TR45-0820	820	650	1,0	
TR45-0840	840	650	1,0	
TR45-0850	850	650	1,0	
TR45-0860	860	650	1,0	
TR45-0880	880	650	1,0	
TR45-0900	900	650	1,0	
TR45-0920	920	700	1,0	
TR45-0940	940	700	1,0	
TR45-0950	950	700	1,0	
TR45-0960	960	700	1,0	
TR45-0980	980	700	1,0	
TR45-1000	1000	700	1,0	

Su richiesta si eseguono spessori e materiali diversi.

Il prodotto può essere realizzato in 4 versioni: • bordo anello • bordo manicotto • liscio • flangiato (con aggiunta costo flangia).

On request other thicknesses and materials are available.

The product can be produced in 4 different versions: • ring edge • sleeve edge • smooth • flanged (with flange cost supplement).