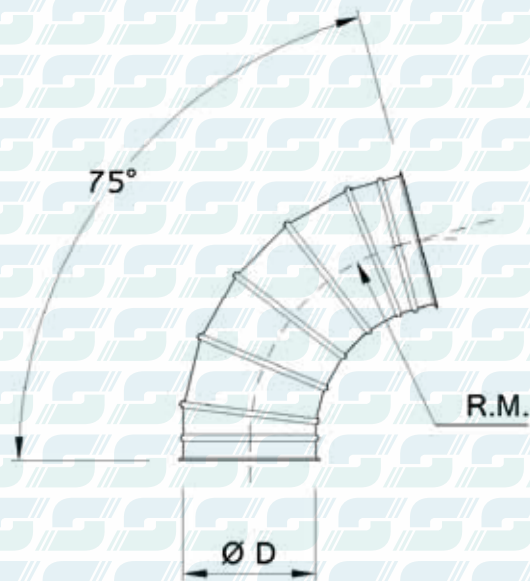


# CURVA 75°

BEND 75°



Cod. Art.	ØD [mm]	Gradi Deg.	R.M. M.R.	Sp./Thk [mm]	Prezzo €
CR75-0080	80	75°	120	0,6	
CR75-0100	100	75°	150	0,6	
CR75-0120	120	75°	180	0,6	
CR75-0140	140	75°	210	0,6	
CR75-0150	150	75°	225	0,6	
CR75-0160	160	75°	240	0,6	
CR75-0180	180	75°	270	0,6	
CR75-0200	200	75°	300	0,6	
CR75-0220	220	75°	330	0,6	
CR75-0240	240	75°	360	0,6	
CR75-0250	250	75°	375	0,6	
CR75-0260	260	75°	390	0,6	
CR75-0280	280	75°	420	0,6	
CR75-0300	300	75°	375	0,8	
CR75-0320	320	75°	400	0,8	
CR75-0340	340	75°	425	0,8	
CR75-0350	350	75°	438	0,8	
CR75-0360	360	75°	450	0,8	
CR75-0380	380	75°	475	0,8	
CR75-0400	400	75°	500	0,8	
CR75-0420	420	75°	525	0,8	
CR75-0440	440	75°	550	0,8	
CR75-0450	450	75°	563	0,8	
CR75-0460	460	75°	575	0,8	
CR75-0480	480	75°	600	0,8	
CR75-0500	500	75°	500	0,8	
CR75-0520	520	75°	520	0,8	
CR75-0540	540	75°	540	0,8	

Cod. Art.	ØD [mm]	Gradi Deg.	R.M. M.R.	Sp./Thk [mm]	Prezzo €
CR75-0550	550	75°	550	0,8	
CR75-0560	560	75°	560	1,0	
CR75-0580	580	75°	580	1,0	
CR75-0600	600	75°	600	1,0	
CR75-0620	620	75°	620	1,0	
CR75-0640	640	75°	640	1,0	
CR75-0650	650	75°	650	1,0	
CR75-0660	660	75°	660	1,0	
CR75-0680	680	75°	680	1,0	
CR75-0700	700	75°	700	1,0	
CR75-0720	720	75°	720	1,0	
CR75-0740	740	75°	740	1,0	
CR75-0750	750	75°	750	1,0	
CR75-0760	760	75°	760	1,0	
CR75-0780	780	75°	780	1,0	
CR75-0800	800	75°	800	1,0	
CR75-0820	820	75°	820	1,0	
CR75-0840	840	75°	840	1,0	
CR75-0850	850	75°	850	1,0	
CR75-0860	860	75°	860	1,0	
CR75-0880	880	75°	880	1,0	
CR75-0900	900	75°	900	1,0	
CR75-0920	920	75°	920	1,0	
CR75-0940	940	75°	940	1,0	
CR75-0950	950	75°	950	1,0	
CR75-0960	960	75°	960	1,0	
CR75-0980	980	75°	980	1,0	
CR75-1000	1000	75°	1000	1,0	

Su richiesta si eseguono diametri, spessori e materiali diversi.

Il prodotto può essere realizzato in 4 versioni: • bordo anello • bordo manicotto • liscio • flangiato (con aggiunta costo flangia).

On request other diameters, thicknesses and materials are available.

The product can be produced in 4 different versions: • ring edge • sleeve edge • smooth • flanged (with flange cost supplement).